

4MP Dual-spectrum Thermal Bullet Network Camera

TIC2221TER5-F3-4F4APCA



Key Features



Optics

- Thermal & Optical dual-spectrum image, dual video with single IP address, adaptable to more various scenes
- Starlight illumination

Smart

- Support human body temperature screening which should be used with black-body
- Support face detection
- Support mask and human body temperature attribute collection
- Support alarm when no mask and abnormal temperature are detected
- Support audio and light alarm

Compression

- Ultra 265, H.265, H.264, MJPEG
- Triple streams
- Max 2688*1520@60fps in the optical module
- Max 720P@25fps in the thermal module

Network

- ONVIF Conformance

Structure

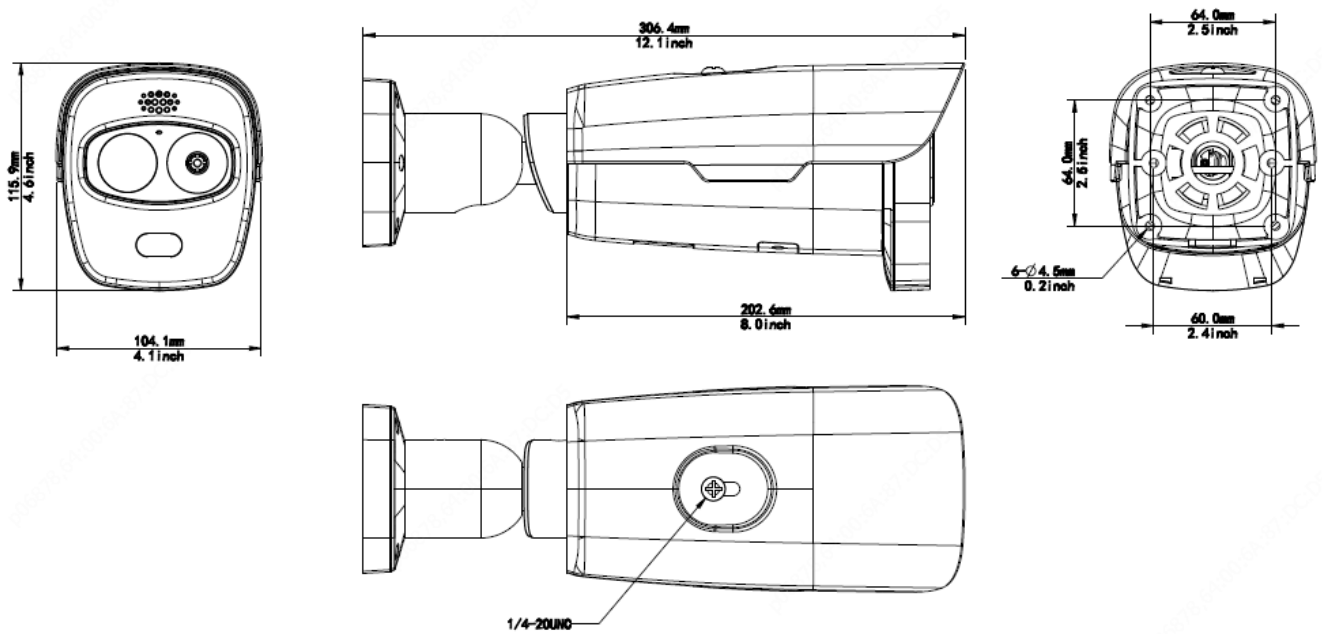
- DC12V or PoE power supply
- Wide voltage range of $\pm 25\%$ in DC
- Micro SD, up to 256 GB
- Alarm 2 in and 2 out, Audio 1 in and 1 out

Specifications

TIC2221TER5-F3-4F4APCA	
Optical Module	
Sensor	1/1.8", 4.0 megapixel, progressive scan, CMOS
Lens	4mm@F1.6,
Iris	Fixed aperture
Angle of View (H)	91.2°
Angle of View (V)	48.0°
Frame Rate	4MP(2688*1520), Max 60fps
Shutter	Auto/Manual, 1 ~ 1/100000s
Min. Illumination	Colour:0.001lux (F1.6, AGC ON) 0 lux with IR
WDR	120dB
Day/Night	IR-cut filter with auto switch (ICR)
IR Range	Up to 50m (164 ft) IR range
Wavelength	850nm
IR On/Off Control	Auto/Manual
BLC	Supported
Thermal Module	
Sensor type	Vanadium Oxide Uncooled Focal Plane Arrays
Max. Resolution	256*192
Angle of View (H)	56.0°
Angle of View (V)	42.0°
Frame Rate	720P(1280*720), Max 25fps
Response waveband	8~14 μ m
Pixel size	12 μ m
IFOV	3.75mrad
NETD	<50mk @f1.0 @25°C
Lens(focal length)	3.2mm@F1.1
Palette	Up to 20 palettes of optional color, including: white hot, lava, iron oxide red, hot iron, medical, arctic, rainbow 1, rainbow 2, rainbow 3, depict hot, ice hot, black hot, mazarine, fusion, red hot, green hot, color 1, color 2, rain, puce
Temperature screening accuracy	
Temperature range	30°C~42°C
Temperature accuracy	$\pm 0.3^{\circ}\text{C}$ (with black-body) $\pm 0.5^{\circ}\text{C}$ (without black-body)
Temperature screening working environment	16°C~32°C
Smart	
Human body Temperature screening	Support human body temperature screening when OSD displays the temperature on the body surface or inside Support human body temperature screening alarm, and set alarm threshold temperature
Audio and light alarm	Support audio and light warning function, with red and blue warning lights built in

Face detection	Optical camera support face detection
Attribute collection	Support mask and human body temperature attribute collection
Alarm	Support alarm when no mask and abnormal temperature are detected
General Function	Watermark, IP Address Filtering, Alarm input, Alarm output, Access Policy, ARP Protection, RTSP Authentication, User Authentication
Video	
Compression	Ultra265, H.265, H.264, MJPEG
Video Stream	Triple streams
OSD	Up to 8 OSDs
Privacy Mask	Up to 8 areas(8 blacks)
Audio	
Audio Compression	G.711U,G.711A
Two-way audio	Supported, Built in mic and speakers
Sampling Rate	8KHZ
Storage	
Edge Storage	Micro SD, up to 256 GB
Network Storage	ANR
Network	
Protocols	IPv4, IGMP, ICMP, ARP, TCP, UDP, DHCP, PPPoE, RTP, RTSP, RTCP, DNS, DDNS, NTP, FTP, UPnP, HTTP, HTTPS, SMTP, 802.1x, SNMP, QoS,
Compatible Integration	ONVIF (Profile S, Profile G, Profile T)
Web Browser	Plug-in required live view: IE9+, Chrome 41 and below, Firefox 52 and below
Interface	
Audio I/O	Audio cable
	1 Input: impedance 35kΩ; amplitude 2V [p-p]
	1 output: impedance 600Ω; amplitude 2V [p-p]
Alarm I/O	2/2
Serial Port	1 RS485
Network	1 x RJ45 10M/100M Base-TX Ethernet
General	
Power	DC12V(±25%), PoE(IEEE802.3af)
	Power consumption: Max 11W
	Support reverse polarity protection, Overvoltage and overcurrent protection , Input short circuit protection
Dimensions (Ø x H)	Φ306.4mmx115.9mmx104.1mm(Φ12.1"x4.6"x4.1")
Net Weight	1.8kg(3.96lb)
Installation method	Tripod

Dimensions



Accessories

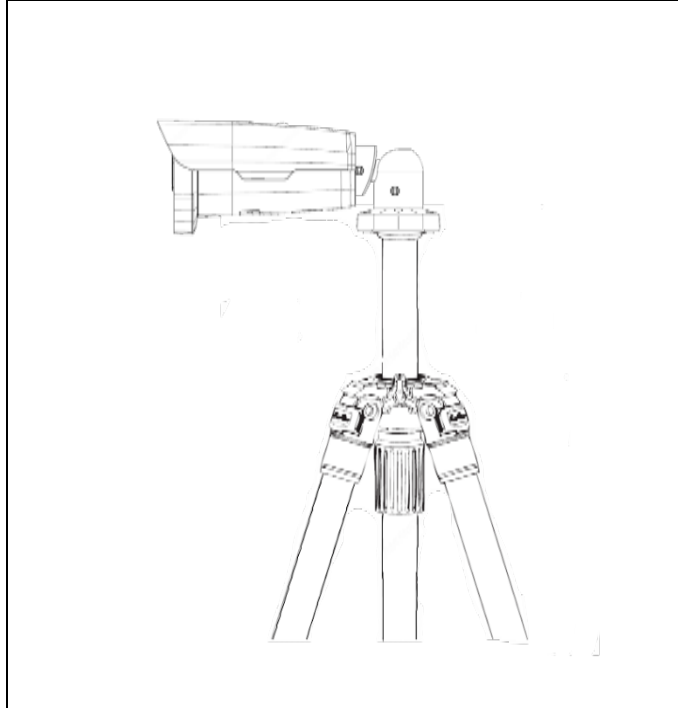
9901C0H4



9901C0H3



Tripod installation

**Zhejiang Uniview Technologies Co., Ltd.**

Building No.10, Wanlun Science Park, Jiangling Road 88, Binjiang District, Hangzhou, Zhejiang, China (310051)

Email: overseasbusiness@uniview.com; globalsupport@uniview.com

<http://www.uniview.com>

©2020 Zhejiang Uniview Technologies Co., Ltd. All rights reserved.

*Product specifications and availability are subject to change without notice.